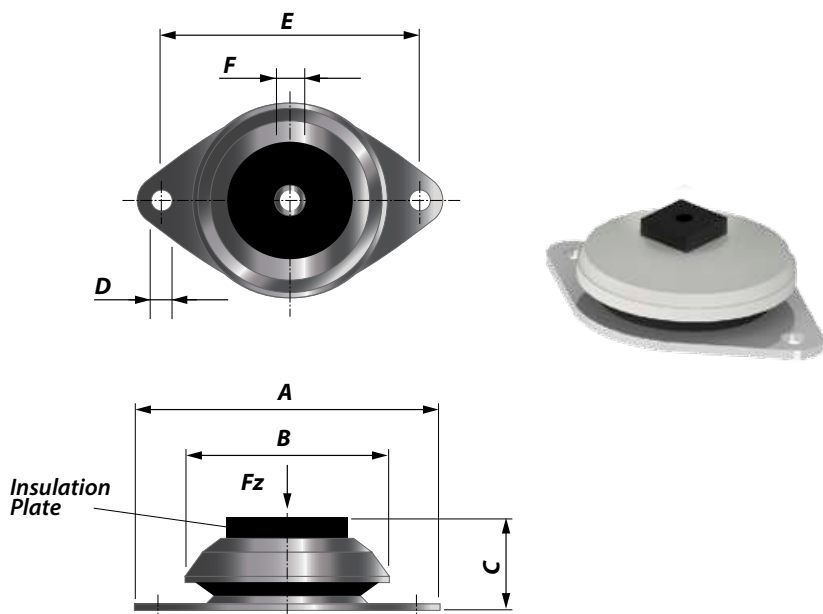


STANDING SUPPORTING POINTS

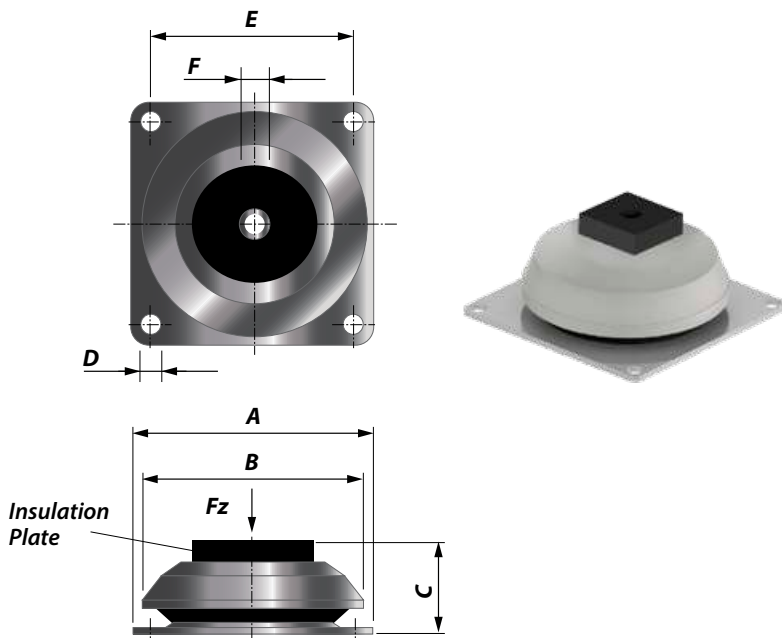
OAX-225/OAX-475



Type	Article No.	A (mm)	B (mm)	C (mm)	D (mm)	E (mm)	F (mm)	Insulation Plate (mm)	Weight (kg)	Fz max (kg)	Hardness
OAX 225-45°	430304512022	134	82	45	11 (2x)	105	M12	40x40x12	0.5	85	45°
OAX 225-55°	430305512022	134	82	45	11 (2x)	105	M12	40x40x12	0.5	160	55°
OAX 225-65°	430306512022	134	82	45	11 (2x)	105	M12	40x40x12	0.5	225	65°
OAX 475-45°	430304512047	170	113	55	13 (2x)	140	M12	40x40x12	1.1	375	45°
OAX 475-55°	430305512047	170	113	55	13 (2x)	140	M12	40x40x12	1.1	500	55°
OAX 475-65°	430306512047	170	113	55	13 (2x)	140	M12	40x40x12	1.1	560	65°

STANDING SUPPORTING POINTS

OAX-1400/OAX-3600



Type	Article No.	A (mm)	B (mm)	C (mm)	D (mm)	E (mm)	F (mm)	Insulation Plate (mm)	Weight (kg)	Fz max (kg)	Hardness
OAX 1400-45°	430304516140	168	150	66	13 (4x)	132	M16	80x80x12	2.2	750	45°
OAX 1400-55°	430305516140	168	150	66	13 (4x)	132	M16	80x80x12	2.2	930	55°
OAX 1400-65°	430306516140	168	150	66	13 (4x)	132	M16	80x80x12	2.2	1180	65°
OAX 3600-45°	430304520360	220	206	94	18 (4x)	180	M20	100x100x20	5.4	2650	45°
OAX 3600-55°	430305520360	220	206	94	18 (4x)	180	M20	100x100x20	5.4	3550	55°
OAX 3600-65°	430306520360	220	206	94	18 (4x)	180	M20	100x100x20	5.4	5200	65°