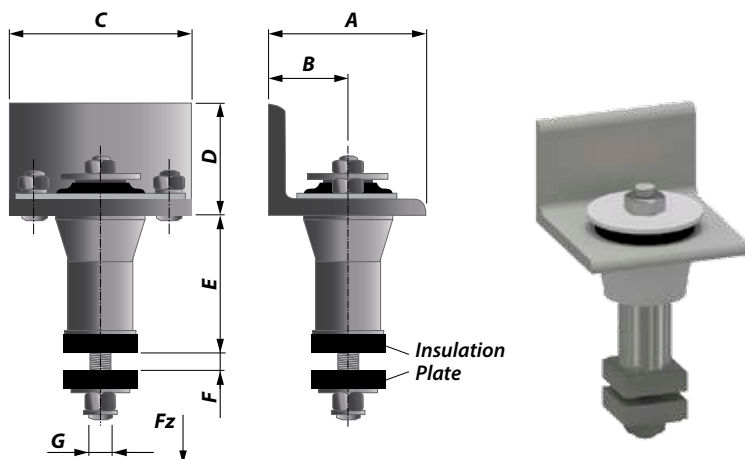


HANGING SUPPORTING POINTS

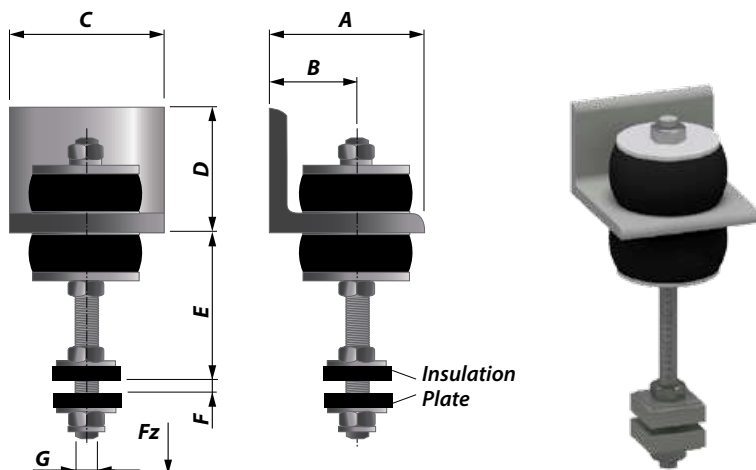
VOAX-90/VOAX-520/VOAX-950



Type	Article No.	A (mm)	B (mm)	C (mm)	D (mm)	E (mm)	F (mm)	G (mm)	Insulation Plate (mm)	Weight (kg)	Fz max (kg)	Hardness
VOAX 90-45°	430204510009	75	40	95	50	50	Max. 20	M10	35x35x12	0.9	50	45°
VOAX 90-60°	430206010009	75	40	95	50	50	Max. 20	M10	35x35x12	0.9	90	60°
VOAX 520-45°	430204512052	100	55	110	65	88	Max. 15	M12	40x40x12	2.1	230	45°
VOAX 520-60°	430206012052	100	55	110	65	88	Max. 15	M12	40x40x12	2.1	420	60°
VOAX 520-70°	430207012052	100	55	110	65	88	Max. 15	M12	40x40x12	2.1	520	70°
VOAX 950-45°	430204516950	120	68	135	80	97	Max. 20	M16	50x50x12	3.8	400	45°
VOAX 950-60°	430206016950	120	68	135	80	97	Max. 20	M16	50x50x12	3.8	620	60°
VOAX 950-70°	430207016950	120	68	135	80	97	Max. 20	M16	50x50x12	3.8	950	70°

HANGING SUPPORTING POINTS

VOAX-300/VOAX-450/VOAX-900/VOAX-2000/VOAX-3400



Type	Article No.	A (mm)	B (mm)	C (mm)	D (mm)	E (mm)	G (mm)	Insulation Plate (mm)	Weight (kg)	Fz max (kg)	Hardness
VOAX 300-45°	430204512030	100	55	65	50	105	M12	40x40x12	1.9	175	45°
VOAX 300-60°	430206012030	100	55	65	50	105	M12	40x40x12	1.9	250	60°
VOAX 450-45°	430204516045	120	65	80	65	100	M16	50x50x12	3.5	300	45°
VOAX 450-60°	430206016045	120	65	80	65	100	M16	50x50x12	3.5	450	60°
VOAX 900-45°	430204524090	150	80	100	65	130	M24	60x60x12	7.3	650	45°
VOAX 0900-60°	430206024090	150	80	100	80	130	M24	60x60x12	7.3	900	60°
VOAX 2000-45°	430204530200	200	110	100	65	130	M30	70x70x12	10.1	1000	45°
VOAX 2000-65°	430206530200	200	110	100	80	130	M30	70x70x12	10.1	2000	60°
VOAX 3400-45°	430104536340	200	110	100	80	155	M36	80x80x12	17.0	1700	45°
VOAX 3400-65°	430106536340	200	110	100	80	155	M36	80x80x12	17.0	3400	60°