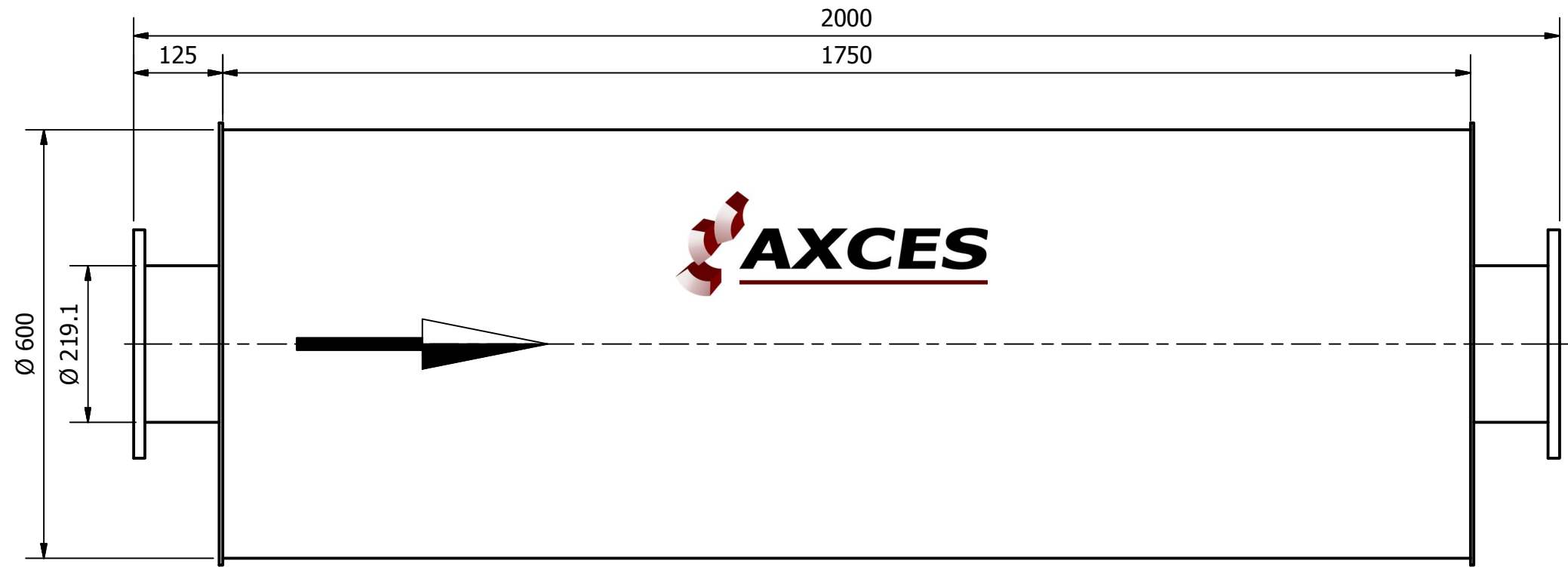
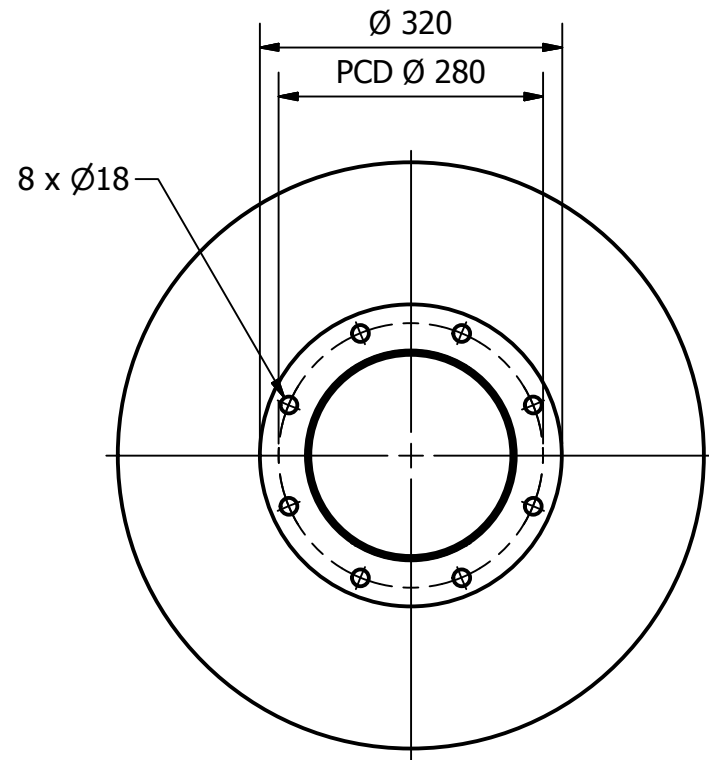




12 11 10 9 8 7 6 5 4 3 2 1

H
G
F
E
D
C
B
A

H
G
F
E
D
C
B
A



| | | | | | | | |
|--|---------|--------|--|---|--|---|--------------------|
| MATERIAL MILD STEEL S235JR | | | | | | | |
| FLANGES DIN 2573 PN6 | | | | MOD | DESCRIPTION | DRAWN | DATE |
| COATING SILICONE PAINT - THERMORESISTANT UP TO 600C, SILVER | | | |  | Axces B.V. Ondernemersweg 12 4691 SL Tholen The Netherlands www.axces.com +31 (0) 166 603 285 | ALL RIGHTS RESERVED THIS DRAWING SHALL NOT BE REPRODUCED WITHOUT THE PRIOR PERMISSION OF AXCES B.V. | |
| WELDING QUALITY ACC. TO 5817 CLASS C | | | | | | NUMBER OF SHEETS 1 | DATE 2013-10-29 |
| TOLERANCES ACC. TO EN-ISO 13920 CLASS B,F | | | | | | ARTICLE NUMBER 140300000080 | |
| DIMENSIONS | LENGTH | ANGLE | STRAIGHTNESS FLATNESS PARALLELSM | TITLE EXHAUST SILENCER | DRAWING NUMBER 181113/REAB40/8 | DRAWN ES | |
| 400 mm | +/-2 mm | +/-45' | +/-1,5 mm | TYPE REAB40-8" (NB200) | SPARK ARRESTOR NO | DAMPING 40 db(A) | |
| 1000 mm | +/-3 mm | +/-30' | +/-3 mm | PROJECTION  | WEIGHT 171 Kg | SCALE 1 / 8 | FORMAT A3 |
| 2000 mm | +/-4 mm | +/-20' | +/-4,5 mm | | | | |
| 4000 mm | +/-6 mm | +/-20' | +/-6 mm | | | | |
| >4000 mm | +/-8 mm | +/-20' | +/-8 mm | | | | |

12 11 10 9 8 7 6 5 4 3 2 1