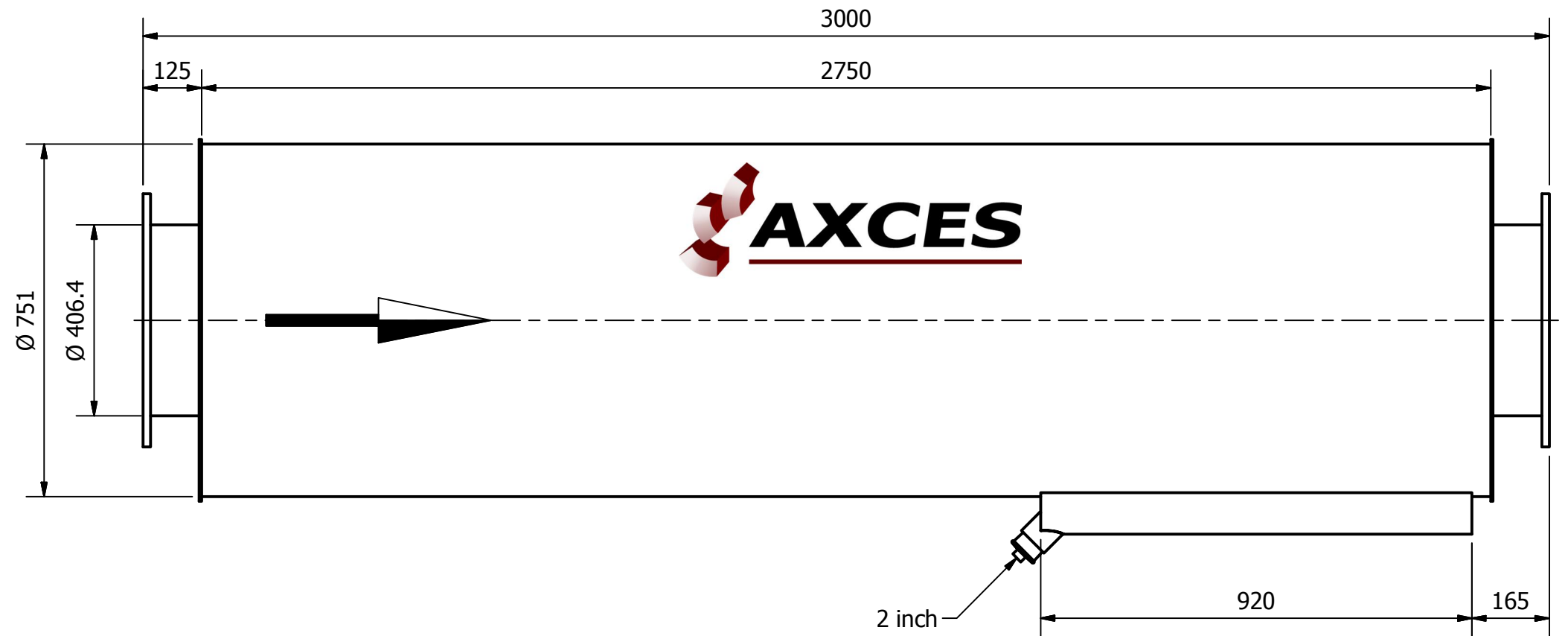
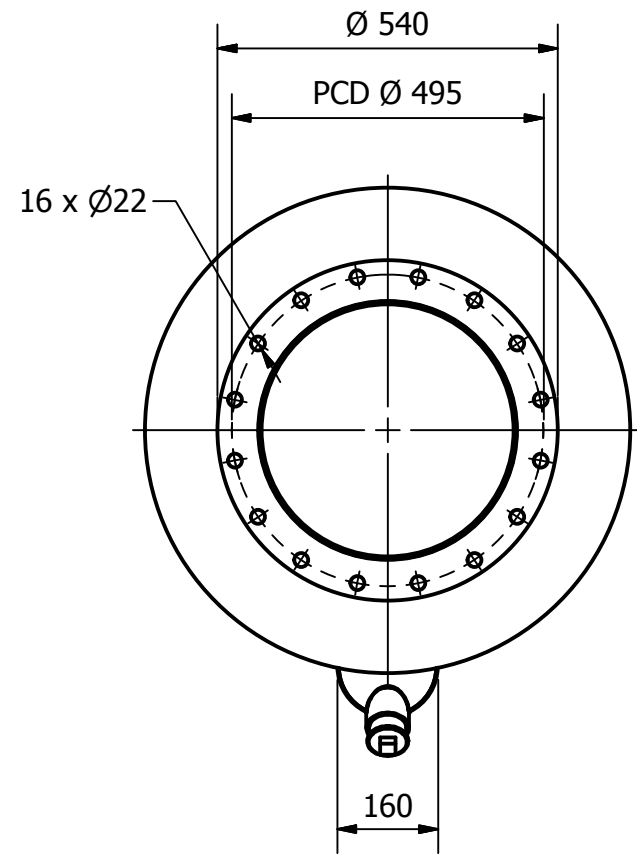




12 11 10 9 8 7 6 5 4 3 2 1

H
G
F
E
D
C
B
A

H
G
F
E
D
C
B
A



MATERIAL MILD STEEL S235JR							
FLANGES DIN 2573 PN 6				MOD	DESCRIPTION	DRAWN	DATE
COATING SILICONE PAINT - THERMORESISTANT UP TO 600C, SILVER					Axces B.V. Ondernemersweg 12 4691 SL Tholen The Netherlands www.axces.com +31 (0) 166 603 285	ALL RIGHTS RESERVED THIS DRAWING SHALL NOT BE REPRODUCED WITHOUT THE PRIOR PERMISSION OF AXCES B.V.	
WELDING QUALITY ACC. TO 5817 CLASS C						NUMBER OF SHEETS 1	DATE 2013-11-06
TOLERANCES ACC. TO EN-ISO 13920 CLASS B,F						ARTICLE NUMBER 131100000160	
DIMENSIONS	LENGTH	ANGLE	STRAIGHTNESS FLATNESS PARALLELSM	TITLE	DRAWING NUMBER	DRAWN	
400 mm	+/-2 mm	+/-45'	+/-1,5 mm	EXHAUST SILENCER	181113/ABS-IS/16	ES	
1000 mm	+/-3 mm	+/-30'	+/-3 mm	TYPE	SPARK ARRESTOR	DAMPING	
2000 mm	+/-4 mm	+/-20'	+/-4,5 mm	ABS-IS-16" (NB400)	BUILT-IN	20-25 db(A)	
4000 mm	+/-6 mm	+/-20'	+/-6 mm	PROJECTION	WEIGHT	SCALE	FORMAT
>4000 mm	+/-8 mm	+/-20'	+/-8 mm		338 Kg	1 / 12	A3

12 11 10 9 8 7 6 5 4 3 2 1