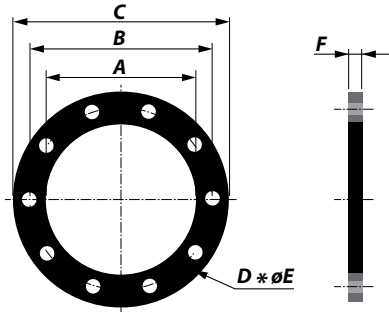


## GRAPHITE GASKET TYPE FULL FACE JIS B2220 - 10K



Article No.	Size (Inch)	NB (mm)	Pipe (mm)	A (mm)	B (mm)	C (mm)	D Number of holes	E Diameter of holes (mm)	F (mm)	Weight (kg)
213150020010	1	25	34.5	35	90	125	4	19	2	0.1
213150020013	1.25	32	43.2	43	100	135	4	19	2	0.1
213150020015	1.5	40	49.1	49	105	140	4	19	2	0.1
213150020020	2	50	61.1	61	120	155	4	19	2	0.1
213150020025	2.5	65	77.1	77	140	175	4	19	2	0.2
213150020030	3	80	90.0	90	150	185	8	19	2	0.2
213150020040	4	100	115.4	116	175	210	8	19	2	0.2
213150020050	5	125	141.2	142	210	250	8	23	2	0.2
213150020060	6	150	166.6	167	240	280	8	23	2	0.3
213150020080	8	200	218.0	218	290	330	12	23	2	0.3
213150020100	10	250	269.5	270	355	400	12	25	2	0.3
213150020120	12	300	321.0	321	400	445	16	25	2	0.3
213150020140	14	350	358.1	358	445	490	16	25	2	0.4
213150020160	16	400	409.0	409	510	560	16	27	2	0.4
213150020180	18	450	460.0	460	565	620	20	27	2	0.4
213150020200	20	500	511.0	511	620	675	20	27	2	0.5
213150020240	24	600	613.0	613	730	795	24	33	2	0.8
213150020280	28	700	715.0	715	840	905	24	33	2	0.8
213150020320	32	800	817.0	817	950	1020	28	33	2	0.8
213150020360	36	900	919.0	919	1050	1120	28	33	2	1
213150020400	40	1000	1021.0	1021	1160	1235	28	39	2	1

### CHARACTERISTICS

**Gaskets** Hole pattern according type JIS Standard

**Material** Gaskets are produced out of graphite

**Range** Diameter range from 34.5 mm up to 1021 mm

**Thickness** 2 mm, with an option for 3 and 4 mm

**Temperature** The maximum allowable temperature is 600°C