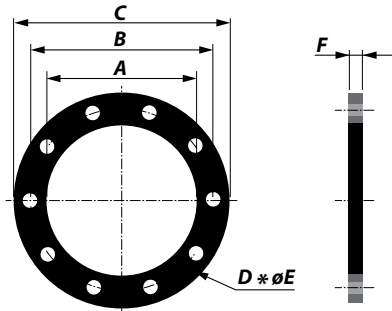


## GRAPHITE GASKET TYPE FULL FACE DIN 86044



Article No.	Size (Inch)	NB (mm)	Pipe (mm)	A (mm)	B (mm)	C (mm)	D Number of holes	E Diameter of holes (mm)	F (mm)	Weight (kg)
213120020100	10	250	273.0	276	335	375	12	18	2	0.3
213120020120	12	300	323.9	327	395	440	12	22	2	0.3
213120020140	14	350	355.6	360	445	490	12	22	2	0.4
213120020160	16	400	406.4	411	495	540	16	22	2	0.4
213120020180	18	450	457.2	461	550	595	16	22	2	0.4
213120020200	20	500	508.0	512	600	645	20	22	2	0.5
213120020220	22	550	560.0	563	650	703	20	22	2	0.5
213120020240	24	600	609.6	614	700	754	20	22	2	0.8
213120020260	26	650	664.0	665	750	805	20	22	2	0.8
213120020280	28	700	711.2	716	800	856	24	22	2	0.8
213120020300	30	750	762.0	767	860	907	24	22	2	0.8
213120020320	32	800	812.8	818	900	958	24	22	2	0.8
213120020360	36	900	914.4	920	1010	1060	28	22	2	1
213120020380	38	950	698.0	970	1060	1110	28	22	2	1
213120020400	40	1000	1016.0	1022	1110	1167	32	22	2	1
213120020440	44	1100	1120.0	1126	1210	1266	32	22	2	1
213120020480	48	1200	1220.0	1226	1310	1366	36	22	2	1
213120020520	52	1300	1324.0	1326	1410	1466	40	22	2	1

### CHARACTERISTICS

**Gaskets** Hole pattern according type DIN 86044

**Material** Gaskets are produced out of graphite

**Range** Diameter range from 273 mm up to 1324 mm

**Thickness** 2 mm, with an option for 3 and 4 mm

**Temperature** The maximum allowable temperature is 600°C